

## What REED Stands For?

Reed Semiconductor is a reputable semiconductor company that provides power solutions for various applications. Our POL (DC-DC Point Of Load), eFuse and Smart Power Stage products provide efficient and cost-effective power conversion solutions for Data Centers, 5G and AI applications.

We are committed to staying at the forefront of technological advancements in the high-performance computing (HPC) and 5G markets. With this in mind, we offer leading-edge Multiphase Controllers, Smart Power Stages, eFuse and Point Of Load solutions that minimize solution size, conserve power, and reduce system costs, giving our customers a competitive edge in the market.

Our solutions prioritize Robustness, Efficiency, Eco-friendliness, and Density, demonstrating our commitment to not only delivering top-performing products but also reliable, sustainable solutions that have a minimal impact on the environment.

**Robustness** is the first priority in applications where reliability and safety are essential in challenging power systems.

**Efficiency** is a vital aspect in high performance computing systems. By minimizing power losses from light to heavy load conditions, we help our customers save energy and reduce electricity and cooling costs.

**Eco-friendliness** is at the forefront of our products and services. We are dedicated to supporting a healthier planet with solutions that are fully lead-free and comply with the RoHS (Restriction of Hazardous Substances) directive.

**Density** limitations are being re-defined by REED Semiconductor through its proprietary power devices, control/drive schemes, conversion topologies, and packaging technologies. Minimizing precious board space and reducing overall system weight are crucial considerations in the industry.



## About Us

Reed Semiconductor is an emerging semiconductor company that was established in 2019 by a team of experienced power management professionals. Headquartered in Rhode Island, USA, with offices in Taiwan, India, and China, we have a global presence and are dedicated to delivering exceptional products and services that surpass industry expectations.

Working closely with global tier 1 wafer foundries and assembly partners worldwide, we provide advanced and reliable products to our customers. Reed has built a strong reputation for delivering innovative and reliable power solutions for various applications. Our products are designed to assist customers in meeting their power requirements in a cost-effective and efficient manner while ensuring high levels of quality and performance.

In 2022, Reed Semiconductor experienced explosive growth, with millions of products shipped with zero returns. This success has cemented our position as one of the fastest-growing semiconductor companies in the industry, serving some of the world's largest companies with our outstanding products.



## Power Your Next Insights



### Reed Semiconductor Corp.

[sales@reedsemi.com](mailto:sales@reedsemi.com)

[www.reedsemi.com](http://www.reedsemi.com)

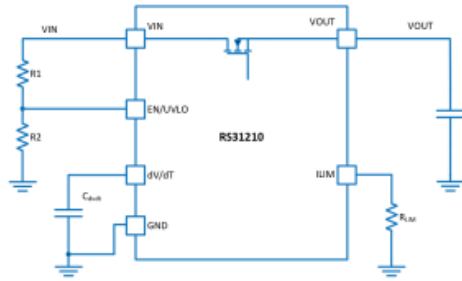
Please scan the QR code to visit our website for more information.



## eFuse and Power Mux Products

PART#	APPLICATIONS	PACKAGE SIZE	VIN	IOUT
RS31211A/B/D	Hot-swap, Hot-plug PCI and PCIe cards	2x2mm, VSON-8 CFP	3.3V	4A
RS31311A/B/D	Adapter powered devices HDD and SSD drives	2x2mm, VSON-8 CFP	12V	4A
RS31210A/B	Server and AUX supplies PCI and PCIe cards	3x3mm, VSON-10 CFP	5V	5A
RS31310A/B	Adapter powered devices HDD and SSD drives	3x3mm, VSON-10 CFP	12V	5A
RS31312	Server and AUX supplies	3x5mm, QFN-22 CFP	12V	15A
RS31313A/B	PCI and PCIe cards	4x4mm, QFN-24 CFP	5V	15A
RS31314A/B	Router and switch optical module	4x4mm, QFN-24 CFP	12V	15A
RS31317A/B	Digital TV	4x4mm, QFN-24 CFP	12V	15A
RS31316	Digital TV	4x4mm, QFN-24 CFP	12V	20A
RS31385	Disk drives PCI and PCIe cards	5x5mm, LGA-32 CFP	4V - 16V	50A
RS31386	Servers	5x5mm, LGA-32 CFP	4V - 16V	50A
RS31387	Networking Hot-swap	5x5mm, LGA-32 CFP	4V - 16V	50A
RS31321 (Power Mux)	Multiple input sources application	2x2.5mm, QFN-12	5V/12V	4.5A

## Typical Application and Features



- Adjustable Current Limit
- Adjustable input UVLD Threshold
- Fixed Over Voltage Clamp (6.1V)
- Built-in Over Temperature Protection
- Short Circuit Protection
- Adjustable Soft Start

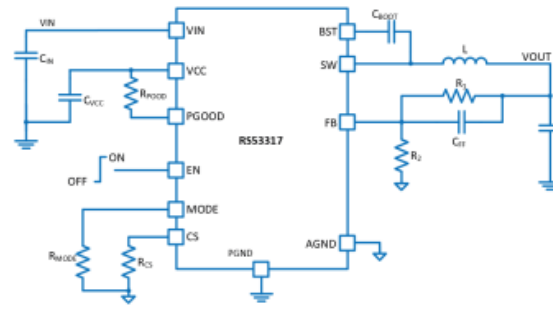
## IBC and Power Modules

PART#	PACKAGE SIZE	CONVERSION RATIO	IMAX/TDP	VIN (V)
RSM3501 (IBC)	27x18x6mm	8:1	400W TDP	40V - 60V
RSM3502 (IBC)	23x17x8mm	4:1	1000W TDP	40V - 60V
RSM6601	10x9x8mm	2-PH MODULE	160A IMAX	6V - 15V
RSM5G01	10x9x8mm	2-PH MODULE	160A IMAX	4.5V - 7.5V

## POL (Point Of Load) Products

PART#	APPLICATIONS	PACKAGE SIZE	VIN	IOUT
RS53317L	Telecom/Datacom	2x3mm, QFN-14 CFP	2.85V - 16V	6A
RS53317H	Computing and Servers	2x3mm, QFN-14 CFP	2.85V - 16V	6A
RS53328L	Telecom/Datacom	3x4mm, QFN-21 CFP	2.85V - 16V	12A
RS53328H	Base station	3x4mm, QFN-21 CFP	2.85V - 16V	12A
RS53319L	Computing, Servers, Storage, AI	3x4mm, QFN-21 CFP	2.85V - 16V	20A
RS53319H	Point of Load (POL) Module	3x4mm, QFN-21 CFP	2.85V - 16V	20A
RS53355	Computing, Data Center and Servers Switches, Routers and Networking	4x5mm, QFN-25 CFP	2.85V - 16V	40A
RS53201	Smart watch, Wearable electronics	1.57x0.88mm, WLCSP-8 CFP	2.15V - 5.5V	450mA
RSM3318	Telecom/Datacom Base station	7.5x6.6x5mm Module	4V - 16V	12A
RSM3319	Computing, Servers, Storage, AI	7.5x6.6x5mm Module	4V - 16V	20A

## Typical Application and Features



- Constant on-time control: Fast Transient
- 0.5% DC Accuracy
- Adjustable SW frequency (600k - 2MHz)
- Selectable Pulse Skip or CCM Mode
- Cycle-by-Cycle Over Current Limit
- OVP/UVP/OC/P/OTP Protections
- Output Discharge
- Support both Internal and external bias

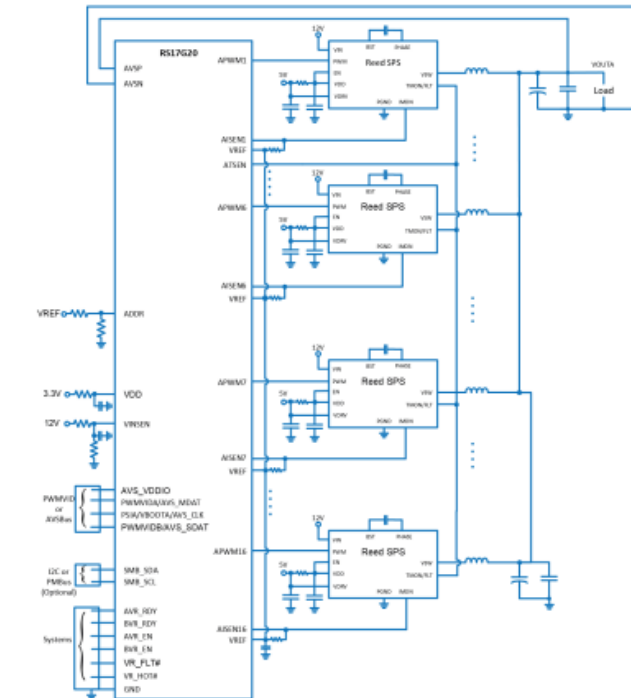
## Smart Power Stage Products

PART#	PACKAGE SIZE	ITDC	IMAX	VIN	MAX FSW
RS86300	3x4mm CFP	25A	50A	2.5V - 16V	2MHz
RS97301	3x4mm CFP	25A	50A	2.5V - 22V	2MHz
RS97503	3x5mm CFP	30A	60A	2.5V - 22V	2MHz
RS86610	4x5mm CFP	30A	60A	2.5V - 16V	2MHz
RS86620	4X5mm CFP	30A	60A	2.5V - 16V	2MHz
RS85A10	4X6mm CFP	45A	100A	2.2V - 7.5V	3MHz
RS85A01	5x6mm CFP	45A	100A	2.2V - 7.5V	3MHz
RS86900	4X6mm CFP	45A	90A	2.5V - 16V	2MHz
RS86810	5x6mm CFP	45A	80A	2.5V - 16V	2MHz

## Multiphase Controllers

PART#	MULTIPHASE CONTROLLER	CONFIGURATION	PACKAGE SIZE
RS18820	8 Phase Controller (VR13.HC/VR14)	8 Ph / 2 Rail	40Pin 5x5mm, QFN CFP
RS18C20	12 Phase Controller (VR13.HC/VR14)	12 Ph / 2 Rail	48Pin 6x6mm, QFN CFP
RS18G20	16 Phase Controller (VR13.HC/VR14)	16 Ph / 2 Rail	56Pin 7x7mm, QFN CFP
RS17G20	16 Phase Controller (AVS/PWMVID)	16 Ph / 2 Rail	56Pin 7x7mm, QFN CFP
RS19820	8 Phase Controller (SVI3)	8 Ph / 2 Rail	40Pin 5x5mm, QFN CFP
RS19C20	12 Phase Controller (SVI3)	12 Ph / 2 Rail	48Pin 6x6mm, QFN CFP
RS19G20	16 Phase Controller (SVI3)	16 Ph / 2 Rail	56Pin 7x7mm, QFN CFP

## Typical Application and Features



- Fast Transient
- 0.5% DC Accuracy
- Wide range SW frequency (200k - 4MHz)
- Flexible Phase Assignment
- Auto Phase Add/drop
- Accurate Telemetry
- OVP/UVP/OC/P/OTP Protections
- Internal Compensation